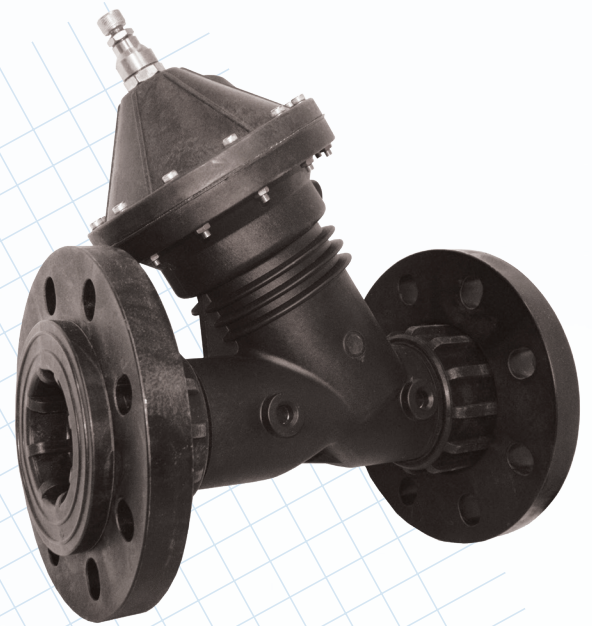


# Diaphragm Valves

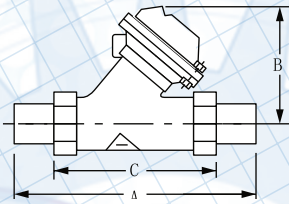
## Technical Advantages

- Our diaphragm valves utilize a dual-chamber design to control internal flow. This design makes the control more flexible, reliable and durable, and minimizes switching defects that a single-chamber valve may have.
- The valve body and cap are molded with glass fiber reinforced thermoplastic that gives extreme strength, long service life and excellent corrosion resistance. Our diaphragm valves are well suited to demineralization processes.
- A special molding process is used to give the reinforced rubber diaphragm extra strength, abrasion resistance and long service life.
- The Y-pattern design minimizes pressure loss and increases flow, which results in energy efficient valves.



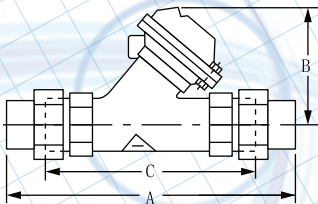
- Working Pressure: 1 - 8 bar (15-115 psi)
- Working Temperature: 4 - 50 °C (40-122 °F)

## Grooved Adaptor Connectors (Male Socket Weld)



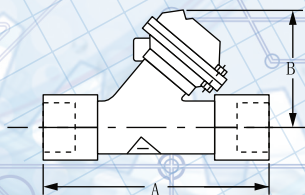
Pipe Size	Units	A	B	C	Part #
1.5"	Inches mm	12.50 336.5	5.06 128.5	7.75 196.8	24555452

## Union End Connectors (Female Socket Weld)



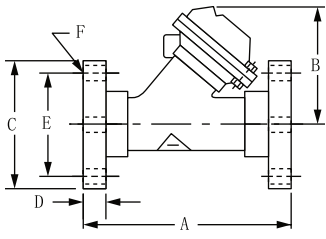
Pipe Size	Units	A	B	C	Part #
1"	Inches mm	9.5 228.6	4.06 103.1	4.50 114.3	24555450
2"	Inches mm	12.32 313	5.06 128.5	7.75 196.8	24555454

## Female Socket Weld End Connectors



Pipe Size	Units	A	B	C	Part #
1"	Inches mm	9.00 228.6	4.06 103.1	4.50 114.3	24555451
1.5"	Inches mm	12.50 336.5	5.06 128.5	7.75 196.8	24555453
2"	Inches mm	10.24 260.0	5.06 128.5	7.75 196.8	24555455

# Flanged End Connectors



Pipe Size	Standard	Units	A	B	C	D	E	F	Part #
2.5"	ANSI	inches mm	11.22 285.0	8.69 220.7	7.28 185.0	0.87 22.0	5.49 139.5	.71 18.0	24555457
3"	ANSI	inches mm	12.52 318.0	8.69 220.7	7.87 200.0	0.87 23.0	6.00 152.5	.71 18.0	24555459
4"	ANSI	inches mm	12.20 310.0	9.37 238.0	8.66 220.0	.91 23.0	7.50 190.5	.71 18.0	Molded into Valve

## Part #

DIAPHRAGM VALVES	
24555461	Valve, Diaphragm, 1", Normally Open, Noryl, No Ends
24555462	Valve, Diaphragm, 1", Normally Closed, Noryl, No Ends
24555463	Valve, Diaphragm, 1", Normally Open, Limit Stop, Noryl, No Ends
24555464	Valve, Diaphragm, 1", Normally Open, O/C Indicator, Noryl, No Ends
24555471	Valve, Diaphragm, 1.5-2", Normally Open, Noryl, No Ends
24555472	Valve, Diaphragm, 1.5-2", Normally Closed, Noryl, No Ends
24555473	Valve, Diaphragm, 1.5-2", Normally Open, Limit Stop, Noryl, No Ends
24555474	Valve, Diaphragm, 1.5-2", Normally Open, O/C Indicator, Noryl, No Ends
24555491	Valve, Diaphragm, 2.5-3", Normally Open, Noryl, No Ends
24555492	Valve, Diaphragm, 2.5-3", Normally Closed, Noryl, No Ends
24555493	Valve, Diaphragm, 2.5-3", Normally Open, Limit Stop, Noryl, No Ends
24555494	Valve, Diaphragm, 2.5-3", Normally Open, O/C Indicator, Noryl, No Ends
24555591	Valve, Diaphragm, 4", Normally Open, Flange, Noryl
24555592	Valve, Diaphragm, 4", Normally Closed, Noryl
24555593	Valve, Diaphragm, 4", Normally Open, Limit Stop, Flange
24555594	Valve, Diaphragm, 4", Normally Open, O/C Indicator, Noryl, Flanged
DIAPHRAGM ENDS / CONNECTIONS	
24555450	Connect, Diaphragm, 1" Groove Adapters ANSI
24555451	Connect, Diaphragm, 1" F Socket ANSI
24555452	Connect, Diaphragm, 1.5" Groove Adapters ANSI
24555453	Connect, Diaphragm, 1.5" Female Socket ANSI
24555454	Connect, Diaphragm, 2" Union, Socket
24555455	Connect, Diaphragm, 2", Female Socket
24555457	Connect, Diaphragm, 2.5" Flange
24555459	Connect, Diaphragm, 3" Flange



## Performance Data

